

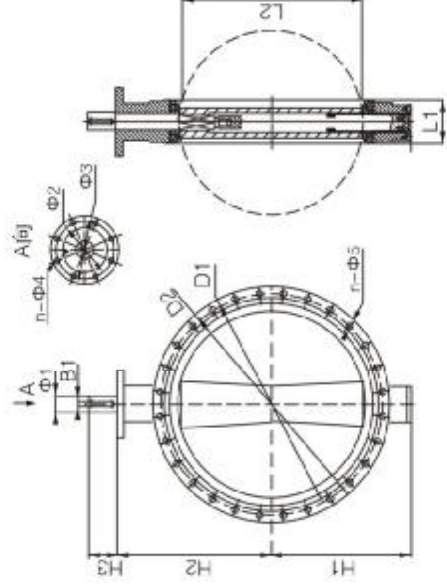
中线U型法兰蝶阀

External Parameters of 310D Centerline Butterfly Valve

中线U型法兰蝶阀特点:

310D Series Product Features

- ★ U型法兰蝶阀是根据大型管网要求设计的，属管网式蝶阀。
- ☆ Centerline butterfly valve double flanged with Pin is designed according to the requirements of large-scale pip net, and it belongs to butterfly valve of big net.
- ★ 阀体强度高，安全系数大，能够抗很高的管线应力。
- ☆ The valve body can endure high pip pressure, and is safer.
- ★ 阀座采用筒式阀座，铝合金背适用于DN400-DN1200蝶阀。
- ☆ The cylinder style seat, Aluminum alloy backrest is available for DN 400-1200 Butterfly Valve.
- ★ 为了消除因阀杆和蝶板重量而导致的蝶板位移，在阀杆底部均设计有止推轴承。
- ☆ In order to eliminate the displacement aroused by the disc weight, and there is a thrust bearing in the bottom of the stem.



中线U型法兰系列蝶阀 (A) 型

270D Series Butterfly Valve (A type)

中线U型法兰系列蝶阀外形主要参数

External Parameters of 310D Series Butterfly Valve

单位:mm
Unit:mm

规格DN Specification DN (mm)	H1	H2	H3	D1	D2	Φ1	Φ2	Φ3	n-Φ4	n-Φ5	L1	L2	B1	总重(kg) Total Weight (kg)
	400	308	400	72	515 525	580	33.2	140	175	4-18	16-26 16-30	86.5/120	380	10
450	341	422	72	565 585	640	38	140	175	4-18	20-26 20-30	105.6/144	428	10	79
500	381	460	82	620 650	715	41.2	165	210	4-22	20-26 20-33	131.8/126	474	10	128
600	476	563	82	725 770	840	50.7	165	210	4-22	20-30 20-36	152	573	16	188
700	520	626	82	840	910	63.4	254	300	8-18	24-30 24-36	163	676	18	284
800	591	709	82	950	1025	63.4	254	300	8-18	24-33 24-39	188	773	18	368
900	656	720	118	1050	1125	75	254	300	8-18	28-33 28-39	203	841	20	713
1000	721	800	142	1160 1170	1255	85	254	300	8-18	28-36 28-42	216	941	22	865
1200	844	941	142	1380 1390	1485	105	296	350	8-22	32-39 32-48	276	1127	28	1545

注: 1、表格中每格两个数值分别表示PN1.0MPa/PN1.6MPa两种压力下的参数值。2、此系列蝶阀法兰连接按对接夹方式连接。

Note: 1. The two figures in case of the form separately the parameters under the pressure of PN1.0MPa/PN1.6MPa.